

MEX



K637BFX90

COOKER HOOD

USER MANUAL

INSTALLATION INSTRUCTIONS

For original parts & reliable service

PEN K INTER TRADING CO., LTD.

HEAD OFFICE : 02-3910919
SALES OFFICE: 02-7122316, 02-7121450-4
SERVICE CENTER: 02-817-5158-69,
02-817-8999
email:service2@penk.co.th

To avoid the risk of accidents or damage to the appliance it is **essential** to read these instruction before it is installed or used for the first time.



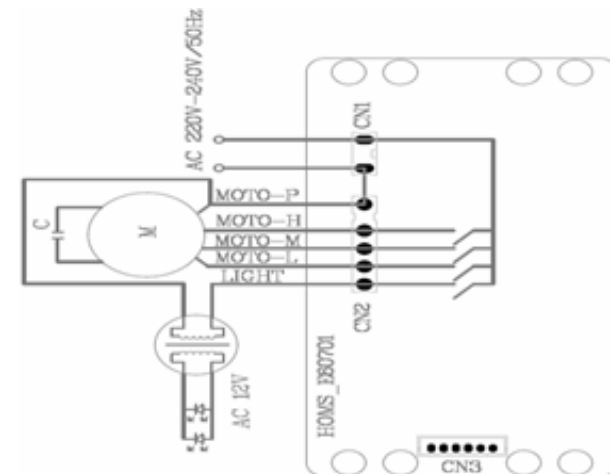
Table of Contents

• From the Manufacturer	3
• Specifications	4
• SAFETY : Read this first !	5
• Description of Parts	7
• Ducted version	8
• Installation	
Wall drilling and bracket fixing	9
Mounting the hood body	11
Connections	11
Chimney assembly	12
• Operation	13
• Cleaning & Maintenance	14
• Troubleshooting	15
• Schematic Diagram	15

Troubleshooting

Symptoms	Possible Cause	Action
Motor does not working	No electrical supply	Ensure the plug is connected properly.
		Reset circuit breaker.
Poor airflow	Aluminum filters clogged	Clean the filters and replace when dry
	Charcoal filters clogged	Replace the new Charcoal filters
Motor running but no airflow	Butterfly valve jammed	Contact technician
Motor cuts after a few minutes	High temperature safety device activated.	The kitchen is not sufficiently ventilated.
	The hood is installed too near the cooking stove.	The hood must be at least 75cm from stove.
Oil dripping onto stove	Aluminum filter saturated.	Wash the aluminum filters.
Whirring sound	Foreign object in contact with fan blade.	Contact technician.
Lamps do not light up	Lamps are burnt out.	Change the lamps.
	Lamps are loose.	Tighten the lamps.

Schematic Diagram



Cleaning & Maintenance

SURFACES : Wash with warm soapy water and a soft sponge. Never use abrasive detergent, scouring pads, steel wool or solvents on any part of this appliance as this will cause irreparable damage. Dry the kitchen hood using a cloth that does not produce fluff.

ALUMINIUM FILTERS : Wash in the dishwasher, it is advisable to stack them vertically to avoid food residue sticking to them. Or soak it in a degreasing agent until grease dissolve and rinsing them under the tap, then rinse off.

LIGHT REPLACEMENT : Before attempting to replace the light, make sure that the light switch is turned off. Remove the damaged light and replace with a LED light maximum 3W.

From the Manufacturer

- This appliance and its packaging are produced by processes that minimize waste and respect the environment.
- Please help us to continue the protection of the environment by disposing of the packaging in a correct manner.

Safety !

- Cling film, polystyrene and plastic wrappings must be kept out of reach of babies and young children. To avoid the danger of suffocation.
- Electrical and electronic appliances often contain materials which, if handled or disposed incorrectly, could be potentially hazardous to human health and environment. Please do not dispose of your old appliance with your household waste.

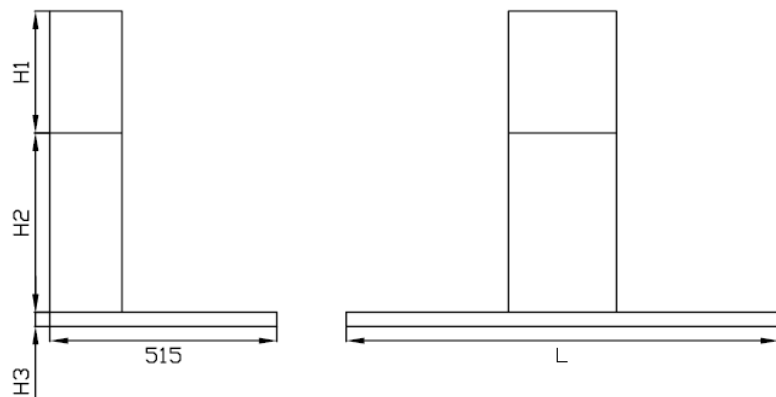


- Please dispose it at your local community waste collection / recycling centre and ensure that it presents no danger to children while being stored for disposal.
- It should be unplugged or disconnected from the mains electricity supply by a competent person. If connected by a plug, the plug must be rendered useless and the cable cut off directly behind the appliance to prevent misuse.

Specifications

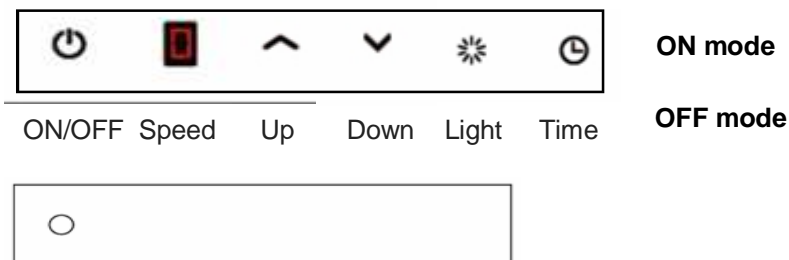
Input : 220-240V 50Hz
 Absorption : 386 W (LED light)
 380 W

External Dimensions



Dimension	L	H1	H2	H3
Model				
K637BFX90	900mm	470mm	470mm	80mm

Operation



The hood is equipped with electronic touch control that is located on the front edge of the range hood canopy.

OFF mode No symbol appears on the panel. The grey color circle line is on the left side of the panel.

ON mode Use your finger touch at the circle line for 2 seconds, the control panel symbols will light up.

UP & DOWN symbols

Touch at the symbols the extractor motor will start to operate at desired speeds to 4 or 0 (stop).

- 1 Low speed
- 2 Medium speed
- 3 High speed
- 4 Extra high speed
- 0 Off

Light symbol

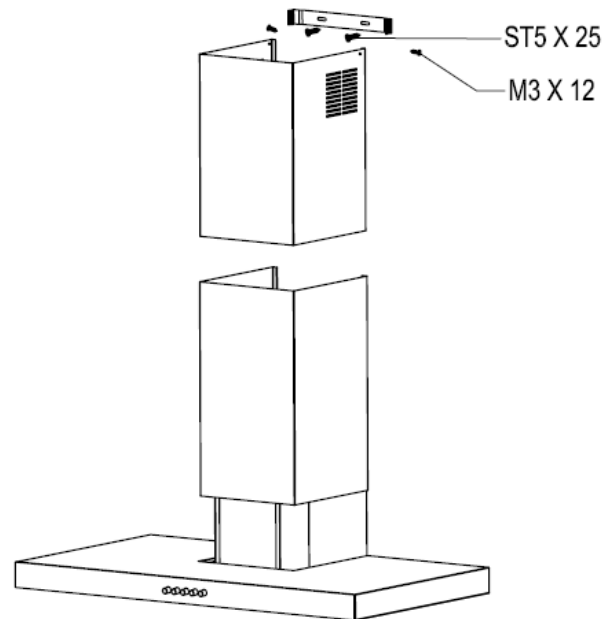
To switch ON the light, touch at the symbol, the light bulb is on and the symbol light will change to red light.

Delay timer

Touch the delay timer symbol, it will activate the delay timer, first times press the timer will flicker after 3 minutes cooker hood turn off, second times press the timer will not flicker after 7 minutes cooker hood turn off.

After activated the delay timer function, the light of the symbol will turn to red.

Chimney assembly



Upper chimney

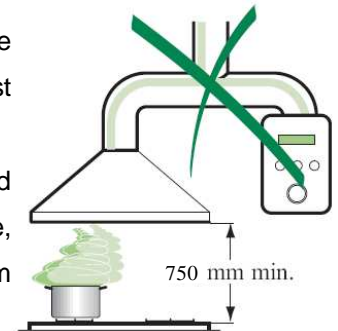
- Slightly widen the two sides of the upper chimney and hood them behind the mounting brackets, ensuring that they are well seated.
- Secure the sides of the brackets using 4 screws (M3 X 12).

Lower chimney

- Slightly widen the two sides of the chimney and hook them between the upper chimney and the wall, ensuring that they are well seated.
- Fix the lower parts laterally to the hood body using 2 screws (ST4 X 8).

SAFETY : Read this First !

- Do not connect the appliance if there are obvious signs of transportation damage.
- Read this user manual thoroughly before attempting to use this appliance.
- Installation and repair should be attempted only by qualified technical personnel.
- It is dangerous to modify any part of this appliance.
- The manufacturer declines all responsibility in case of failure to adopt proper safety measures.
- Ensure the location in which this appliance is installed has good, permanent ventilation.
- The distance between the bench top to the lower part of the hood must not be at least than 75 cm or higher .
- The exhaust from the canopy range hood must not be discharged into any heating flue, which may carry combustion products from other sources.
- Do not leave lit gas burners exposed due to risk of fire.
- Use an electrical connector with earth that is correct for your location.
- Check that the voltage in your area is correct before plugging in.
- The electrical connection of this appliance must be connected to earth.



Green & yellow	=	EARTH
Blue	=	NEUTRAL
Brown	=	LIVE

- This appliance should be connected directly to the fused disconnect (or circuit breaker) through flexible, armored or nonmetallic sheathed copper cable.
- Multiple plugs and extension cables must not be used. Overload is dangerous and may cause a fire.
- Ensure that the power cord is free from any heat source or sharp objects.
- The appliance should be switched off and the electrical supply disconnected before any cleaning or maintenance work can be carried out.
- Allow some slack in the cable so the appliance can be moved if servicing is ever necessary.

Lack warning:

1) This appliance is not intended for use by persons (including children) with reduced physical, sensory or mental capabilities, or lack of experience and knowledge, unless they have been given supervision or instruction concerning use of the appliance by a person responsible for their safety.

Children should be supervised to ensure that they do not play with the appliance.

2) If the supply cord is damaged, it must be replaced by the manufacturer, and use the genuine parts only.

3) There is a fire risk if cleaning is not carried out in accordance with the instructions.

ELECTRICAL CONNECTION

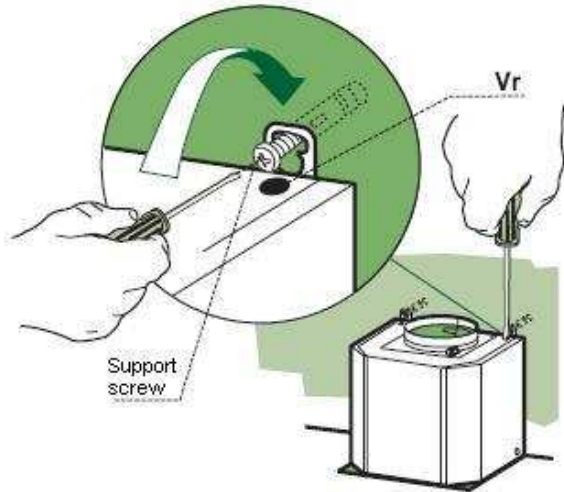
- The electrical tension must correspond to the tension noted on the label placed inside the cooker hood.
- Connect the electrical plug, where provided, to the an easily accessible outlet in conformity with local standards in force.
- Where an electrical plug is not provided (*for direct connection to electrical network*) place a standards approved bipolar switch with an aperture distance of not less than 3mm (*accessible*) from the contacts.

Attention: substituting the supply cable must be carried out by authorized technical assistance service.

- Mark the center of the bracket holes and drill $\phi 8\text{mm}$ holes. Insert wall plug in the wall. Secure mounting bracket firmly using 2 (ST5 x 25) screws.
- Fix the upper chimney cover to both mounting bracket using 2 (M3 x 12) screws.
- Slide the lower chimney cover downwards and ensure that it is well seated on the hood body.

Aligning the hood body

- Before attaching the hood body, adjust the two screws located on the hood body mounting points.
- Hook the hood body onto the support screws and tighten the support screws fully.
- Adjust screws to level the hood body.



Connection

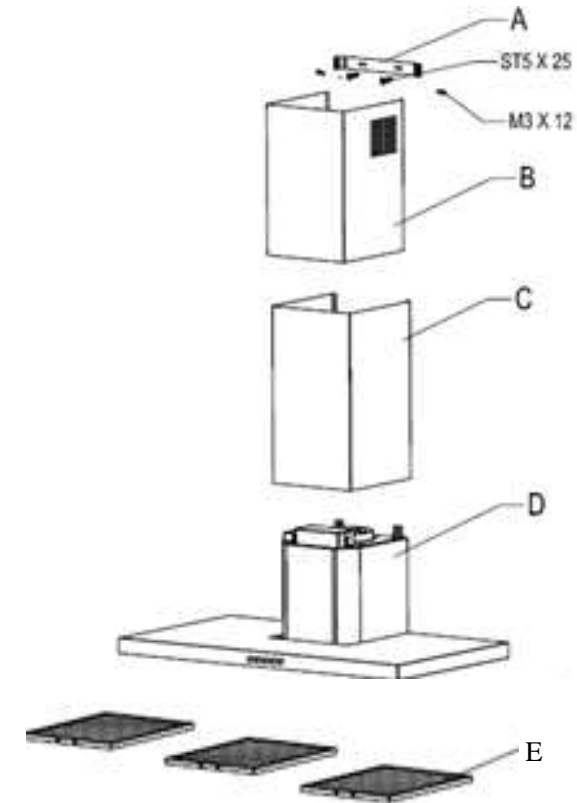
DUCTED MODE AIR EXHAUST SYSTEM

- When installing the ducted mode, connect the hood to the chimney using either a flexible or rigid pipe with $\phi 150\text{mm}$.
- Fix the pipe in position using sufficient pipe clamps (not supplied).

Description of Parts

K637BFX90

- A. Chimney Mounting Bracket
- B. Upper Chimney Cover
- C. Lower Chimney Cover
- D. Motor Housing
- E. Aluminum Filters

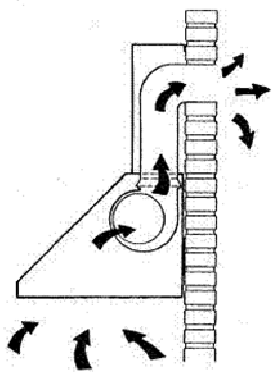


Ducted

You can choose to install the hood as a ducted mode :

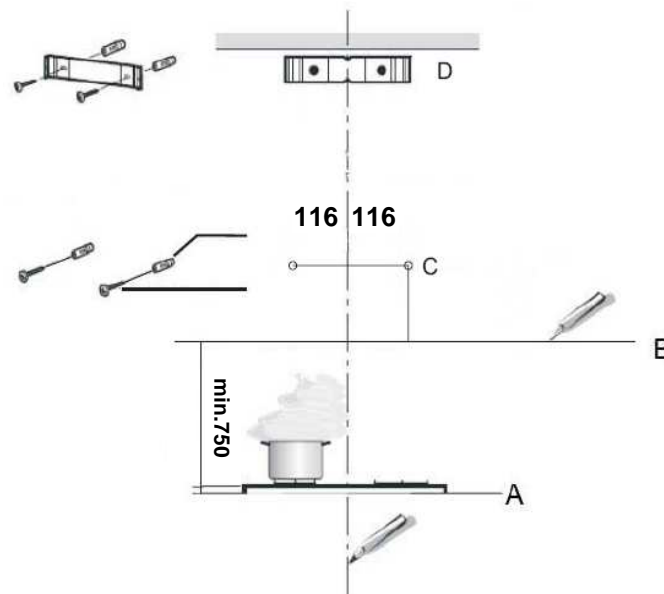
- Ducted mode (Vented mode)

In the ducted mode, air is drawn into the hood, fat are trapped by aluminum filters. Odors, fumes and condensation are then expelled to the outside. In this mode, only the aluminum filters are installed.



Installation

Wall drilling and bracket fixing



Wall mounting

- Draw a vertical line on the at the center of the wall.
- From bench top (see A), drawing a horizontal line (see B) above minimum installation height level.
- Mark a reference point at C, Repeat this step on the other side.
- Drill \varnothing 8mm holes at center of marking points. Insert wall plug in the wall.
- Fix the hood body to wall using 2 (ST5 x 25) screw, tighten the screw firmly.
Note: Adjust the hood body alignment if necessary.
- Place mounting bracket on the wall at desired height level, aligning bracket center at vertical line (see D).