



INSTRUCTION MANUAL
MODELS:

MEV 50 EC, MEV 80 EC, MEV 100 EC, MEH 50 EC, MEH 80 EC, MEH 100 EC

INSTALLATION INSTRUCTIONS

- Installation of the water heater shall be done by a qualified technician.
- It is recommended to install the water heater as near as possible to the hot water faucets.
- Place the water heater in such a manner that it is accessible for maintenance and cannot cause damage in case of leaking.
- Before connecting the water heater to the water supply pipes, let the water flow for a few minutes to clean the water supply from any foreign material that may have entered the water pipes.
- Water supply pressure should be less than 8 bar. If water pressure is higher, install a suitable pressure regulator.
- Connect the safety valve/check valve to the inlet pipe (blue). Connect the cold water supply to the safety valve.
- The safety valve can drip during the heating cycle of the water heater to relieve excess water due to heat expansion. Provisions for draining the relieve water should be made by using a funnel to collect dripping water, so drain is always open to the atmosphere and cannot ever be blocked. Make sure the drain pipe is in continuously downward direction and in a frost free ambient.
- Connect the hot water pipe to the hot water outlet (red).
- Connection to the power supply shall be via a three core cable at least 1.5 mm². One of the cores is for earth connection (see ELECTRICAL CONNECTION diagram).
- Open the cold water supply line. The water heater is completely filled with water when water flows uninterrupted from the hot water faucets.
- When the water heater is completely filled, close the hot water faucets and switch on electricity supply.

MAINTENANCE AND CLEANING

Check proper functioning of the safety valve every two months by opening and closing the test lever. The heating element should be checked annually for scale formation, caused by impurities in the water supply. Also the anode should be checked annually and replaced when worn for more than 60%. For cleaning the element or replacing the anode follow following procedure:

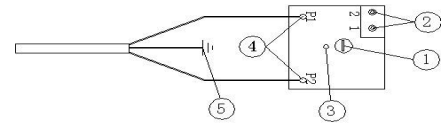
1. Switch off the electric supply to the water heater
2. Open the hot water taps until water is not hot any more
3. Close cold water supply
4. Put a vessel of suitable capacity under the water heater
5. Drain the water heater by removing the bottom cover, unscrew the heating assembly flange and allow the water to fall in the vessel
6. Clean the container and the heating unit assembly from scale by using a suitable acid or by gently scraping of the scale.
7. Replace anode if required
8. Remount the heating assembly flange
9. Open cold water supply until water flows without interruption from hot water faucets 10. Close the hot water taps and check for eventual leakage around the flange 11. When there is no leakage, replace cover. Then switch on electric supply.
12. The pressure relief device is to be operated regularly to remove lime deposits to verify that it is not blocked.

Warranty

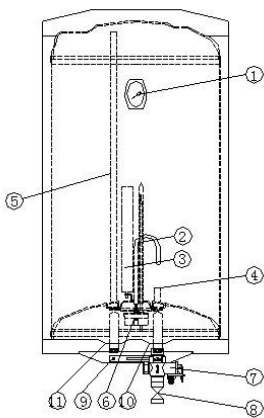
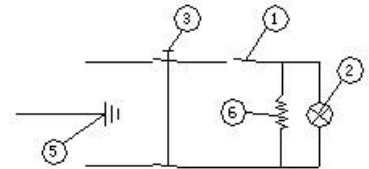
1. If within one year after initial installation date any part or component other than the tank shall prove defective in material or workmanship upon examination by A.O. Smith or local authorized agent, A.O. Smith will repair or supply such part or component through the local agent.
2. It within five years after initial installation the tank fails due to rust or corrosion from the water side, A.O. Smith will supply a new water heater of equivalent size and capacity. Delivery and installation charges are not included in this warranty. The replacement water heater will be granted warranty for the unexpired part of the warranty of the originally installed water heater.
3. The warranty only applies if:
 - a. The water heater has been installed as per the above instructions
 - b. Maintenance has been carried out as per above instructions
 - c. Safety valves and anodes have been kept in working condition
4. The warranty is void if:
 - a. The tank has been damaged by external causes
 - b. In case of misuse, neglect or incorrect use of the water heater
 - c. In case of use with non potable water or water softened to less than 60 ppm CACo₃
 - d. In case of unauthorized alteration, modification or repair.

Trade mark:	A.O. Smith
Manufacturers no.:	MEV/MEH
Rated Voltage	230 Volt 50/60Hz
Rated input	2000/2500 Watts
Rated working pressure	800 kPa (8 bar)
Pressure relieve valve	800 kPa (8 bar)
Max. Thermostat setting	75°C
Thermal cut-out	87°C

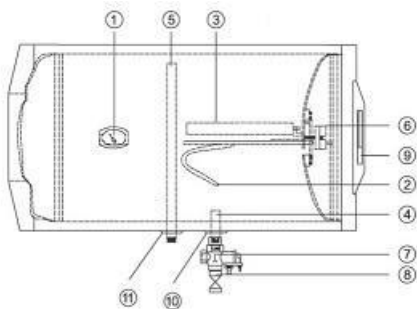
ELECTRICAL CONNECTION



- 1-Thermostat setting knob
- 2-Pilot light
- 3-Thermal cut-out reset knob
- 4-Power supply connection
- 5-Ground connection
- 6-Heating element



MODELS MEV 50/80/100



MODELS MEH 50/80/100

- For safety purposes it is recommended to connect the water heater to the power supply via a suitable double-pole switch, preferably provided with fuses.
- Remove the cover at the bottom to access the electrical connections
- Connect the ground conductor to the ground connection (5)
- Connect the other two conductors to P1 and P2
- Replace bottom cover.

LEGEND

- 1) Thermometer
- 2) Heating element
- 3) Anode
- 4) Cold water inlet pipe with diffuser
- 5) Hot water outlet pipe
- 6) Control thermostat and thermal cut-out reset button
- 7) Combination pressure relieve/check valve
- 8) Stop cock (not included with water heater)
- 9) Pilot light
- 10) Blue ring
- 11) Red ring

This appliance is not intended for use by persons (including children) with reduced physical, sensory or mental capabilities, or lack of experience and knowledge, unless they have been given supervision or instruction concerning use of the appliance by a person responsible for their safety. Children should be supervised to ensure that they do not play with the appliance.

A
DIVISION
OF A.O.SMITH
CORPORATION



A.O. Smith Water Products Company B.V., De Run 5503 LW Veldhoven, PO Box 70 NL -5500 AB Veldhoven, Netherlands

Tel. +31 40 294 25 00 Fax. +31 40 294 25 09

E-Mail: Info@aosmith.nl Internet: www.aosmithinternational.com,

407703-006 02